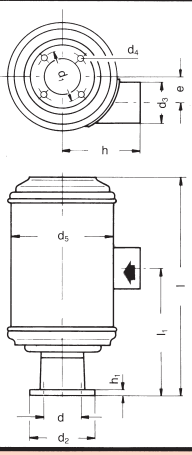
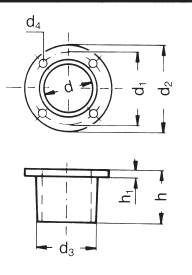


ELEKTOR - ACCESSORIES

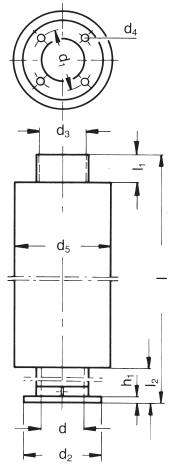
- GROUP A SD 20, SE 20 GROUP B SD 22, SE 22 GROUP C SD 2n, SE 2n, SD 2n-1
- GROUP D SD 3, SE 3, SD 3-1 GROUP E SD 24, SE24, SD 4n, SE 4n, SD 4n-1, SD 42, SE 42, SD 400, SD 420
- GROUP F SD 5, SE 5, SD 52, SD 54, SD 540, SD 5200, SD 5400, SD 6, SD 6-1, SD 600
- GROUP G SD 6200, SD 6400, SD 7, SD 7-1, SD 72, SD 74, SD 740, SD 80, SD 8, SD 8-1, SD 82, SD 800, SD 820
- GROUP H SD 90, SD 9, SD 9-1, SD 92, SD 900



Fine filters with connector											
Group	l	l ₁	d	d ₁	d ₂	d ₃	d ₄	d ₅	e	h	h ₁
A	290	192	38	56		37	5.5	100	28	75	12
B	290	192	37	58		37	5.5	100	28	75	12
C	231	130	38	58	70	37	5.5	100	28	75	6
D	251	153	24	48	60	37	5.5	100	28	75	6
E	278	163	45	68	79	54	5.5	130	35	100	8
F	348	195	55	85	100	62	7	150	40	120	10
G	442	277	65	110	130	82	9	190	50	150	12
H	635	355	83	118	145	110	9	240	16	185	12



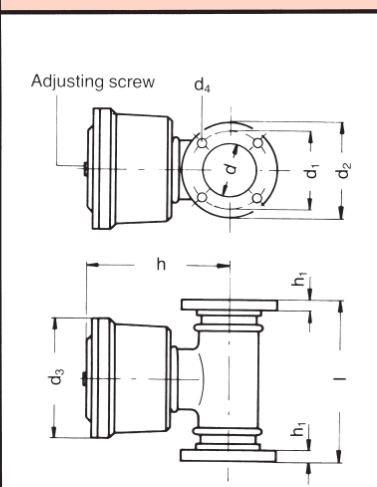
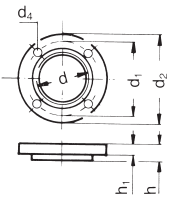
Silencers with connector										
Group	l	l ₁	l ₂	d	d ₁	d ₂	d ₃	d ₄	d ₅	h ₁
B	606	50	150	37	58		45	5.5	90	6
C	606	50	150	38	58	70	45	5.5	90	6
D	635	50	150	24	48	60	45	5.5	90	6
E	608	50	150	45	68	79	55	5.5	100	8
F	610	50	150	55	85	100	65	7	115	10
G	612	50	150	65	110	130	80	9	120	12
H	1012	50	162	80	118	145	97	9	150	12



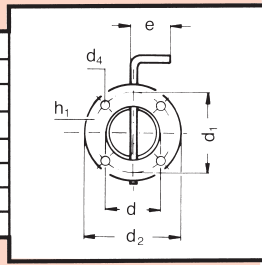
Welding flanges					
Group	d	d ₁	d ₂	d ₄	h ₁
C	38	58	70	5.5	10
D	24	48	60	5.5	10
E	49	68	79	5.5	10
F	61	85	100	7	12
G	76.5	110	130	9	12
H	90	118	145	9	12

Hose Connectors							
Group	d	d ₁	d ₂	d ₃	d ₄	h	h ₁
A	30	56		41	5.5	35	6
B	37	58		45	5.5	35	6
C	38	58	70	45	5.5	35	6
D	24	48	60	30	5.5	35	6
E	45	68	79	54	5.5	50	8
F	55	85	100	65	7	50	10
G	65	110	130	80	9	60	12
H	81	118	145	97	9	60	12

Threaded flanges						
Group	d	d ₁	d ₂	d ₄	h	h ₁
A	1" BSP	56		5.5	12	
B	1.25" BSP	58		5.5	12	
C	1.25" BSP	58	70	5.5	10	10
D	0.75" BSP	48	60	5.5	10	10
E	1.5" BSP	68	79	6	15	10
F	2" BSP	85	100	7	15	10
G	2.5" BSP	110	130	9	20	12
H	3" BSP	118	145	9	20	12



Throttle valves						
Group	d	d ₁	d ₂	d ₄	e	h ₁
C	38	58	70	6	34	12
D	24	48	60	6	34	12
E	45	68	79	6	34	12
F	55	85	100	7	34	12
G	65	110	130	9	50	12
H	80	118	145	9	70	12



Pressure and vacuum relief valves							
Group	l	d	d ₁	d ₂	d ₃	d ₄	h ₁
E	135	45	68	79	100	5.5	120
F	180	53	85	100	125	7	150
G	205	68	110	130	145	9	178
H	225	80	118	145	180	9	188