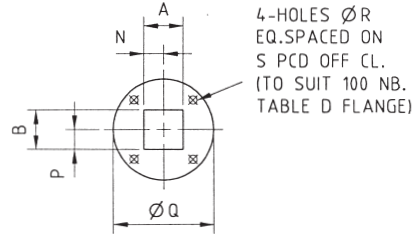


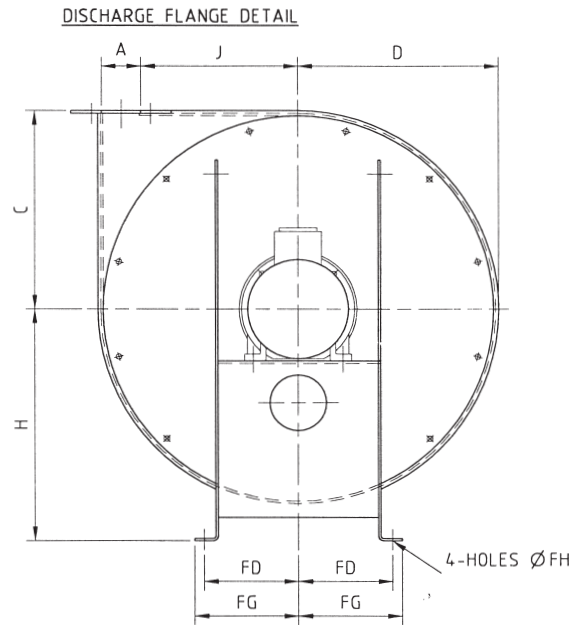
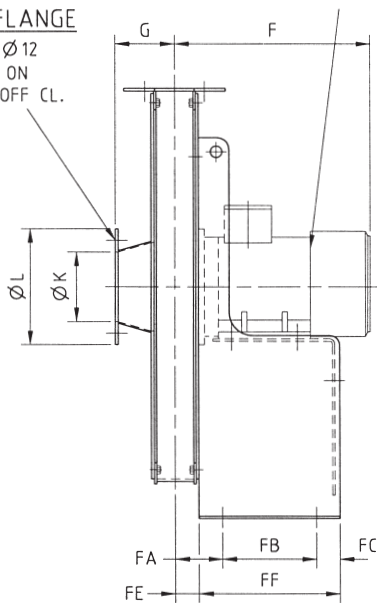
**'F' SERIES FANS**  
**FABRICATED BLOWERS**  
**ARR 4 DIRECT DRIVE**

**NOTE** CLOCKWISE ROTATION SHOWN  
FOR ANTI CLOCKWISE ROTATION  
SYMMETRICALLY OPPOSITE

**ELECTRIC MOTOR**  
415V/3Ph/50Hz  
FLANGE/FOOT MOUNT

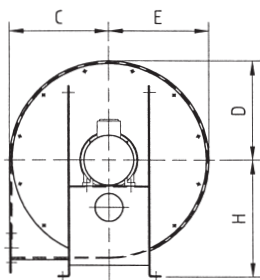


**INLET FLANGE**  
4-HOLES Ø12  
EQ.SPAC. ON  
200 PCD OFF CL.

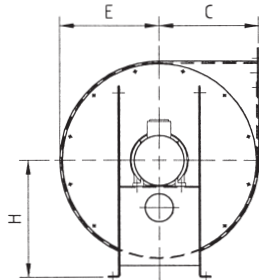


DIMENSIONS SHOULD NOT BE USED FOR CONSTRUCTIONAL PURPOSES WITHOUT OUR CERTIFICATION

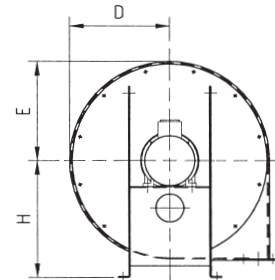
**HAND CW 90**



**HAND CW 0**



**HAND CW 180**



**HAND CW 270**

| SIZE | GENERAL |    |     |     |     |     |     |     |     |     | INLET FL. |     |    | DISCH. FLANGE |     |    |     |     | FOUNDATION FOOTINGS |    |     |    |     |     | MOTOR |     |      | WT    |     |
|------|---------|----|-----|-----|-----|-----|-----|-----|-----|-----|-----------|-----|----|---------------|-----|----|-----|-----|---------------------|----|-----|----|-----|-----|-------|-----|------|-------|-----|
|      | A       | B  | C   | D   | E   | F   | G   | H   | J   | K   | L         | M   | N  | P             | Q   | R  | S   | FA  | FB                  | FC | FD  | FE | FF  | FG  | FH    | KW  | RPM  | FRAME | KG  |
| F42  | 108     | 86 | 380 | 395 | 405 | 420 | 110 | 500 | 305 | 136 | 250       | 200 | 54 | 43            | 215 | 18 | 178 | 100 | 200                 | 50 | 200 | 50 | 300 | 220 | 14    | 4.0 | 2850 | D112M | 142 |
| F44  | 108     | 86 | 380 | 395 | 405 | 420 | 110 | 500 | 305 | 136 | 250       | 200 | 54 | 43            | 215 | 18 | 178 | 100 | 200                 | 50 | 200 | 50 | 300 | 220 | 14    | 5.5 | 2850 | D112M | 142 |
| F51  | 84      | 84 | 426 | 426 | 426 | 416 | 126 | 500 | 334 | 150 | 250       | 200 | 42 | 42            | 215 | 18 | 178 | 100 | 200                 | 50 | 200 | 50 | 300 | 220 | 14    | 4.0 | 2850 | D112M | 162 |
| F53  | 84      | 84 | 426 | 426 | 426 | 416 | 126 | 500 | 334 | 150 | 250       | 200 | 42 | 42            | 215 | 18 | 178 | 100 | 200                 | 50 | 200 | 50 | 300 | 220 | 14    | 4.0 | 2850 | D112M | 162 |
| F54  | 84      | 84 | 426 | 426 | 426 | 416 | 126 | 500 | 334 | 150 | 250       | 200 | 42 | 42            | 215 | 18 | 178 | 100 | 200                 | 50 | 200 | 50 | 300 | 220 | 14    | 5.5 | 2850 | D112M | 166 |
| F55  | 84      | 84 | 426 | 426 | 426 | 416 | 126 | 500 | 334 | 150 | 250       | 200 | 42 | 42            | 215 | 18 | 178 | 100 | 200                 | 50 | 200 | 50 | 300 | 220 | 14    | 5.5 | 2850 | D112M | 166 |
| F57  | 84      | 84 | 426 | 426 | 426 | 416 | 126 | 500 | 334 | 150 | 250       | 200 | 42 | 42            | 215 | 18 | 178 | 100 | 200                 | 50 | 200 | 50 | 300 | 220 | 14    | 5.5 | 2850 | D112M | 166 |
| F58  | 84      | 84 | 426 | 426 | 426 | 416 | 126 | 500 | 334 | 150 | 250       | 200 | 42 | 42            | 215 | 18 | 178 | 100 | 200                 | 50 | 200 | 50 | 300 | 220 | 14    | 5.5 | 2850 | D112M | 167 |
| F59  | 84      | 84 | 426 | 426 | 426 | 416 | 126 | 500 | 334 | 150 | 250       | 200 | 42 | 42            | 215 | 18 | 178 | 100 | 200                 | 70 | 200 | 50 | 320 | 220 | 14    | 7.5 | 2850 | D132S | 185 |
| F72  | 84      | 84 | 506 | 506 | 506 | 485 | 126 | 580 | 414 | 150 | 250       | 200 | 42 | 42            | 215 | 18 | 178 | 100 | 240                 | 50 | 220 | 50 | 340 | 240 | 14    | 11  | 2850 | D132M | 283 |
| F74  | 84      | 84 | 506 | 506 | 506 | 485 | 126 | 580 | 414 | 150 | 250       | 200 | 42 | 42            | 215 | 18 | 178 | 100 | 240                 | 50 | 220 | 50 | 340 | 240 | 14    | 11  | 2850 | D132M | 236 |
| F76  | 84      | 84 | 506 | 506 | 506 | 485 | 126 | 580 | 414 | 150 | 250       | 200 | 42 | 42            | 215 | 18 | 178 | 100 | 240                 | 50 | 220 | 50 | 340 | 240 | 14    | 11  | 2850 | D132M | 236 |
| F78  | 84      | 84 | 506 | 506 | 506 | 485 | 126 | 580 | 414 | 150 | 250       | 200 | 42 | 42            | 215 | 18 | 178 | 100 | 240                 | 50 | 220 | 50 | 340 | 240 | 14    | 11  | 2850 | D132M | 236 |