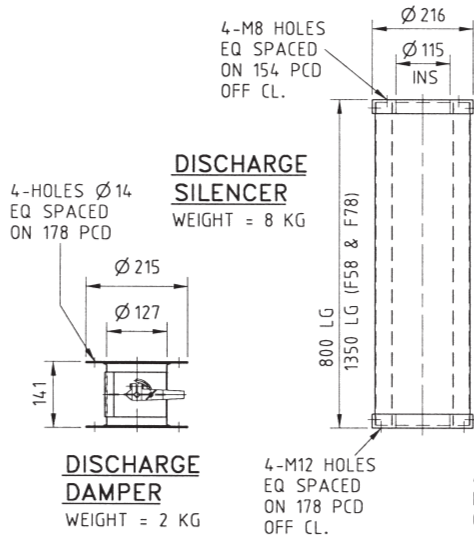
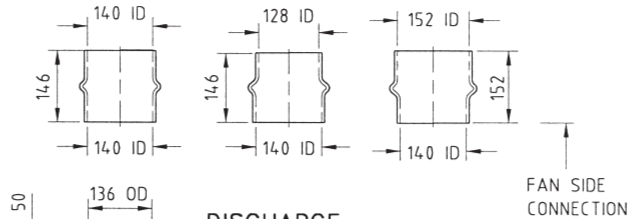


'F' SERIES FANS OPTIONAL EXTRAS FABRICATED BLOWERS

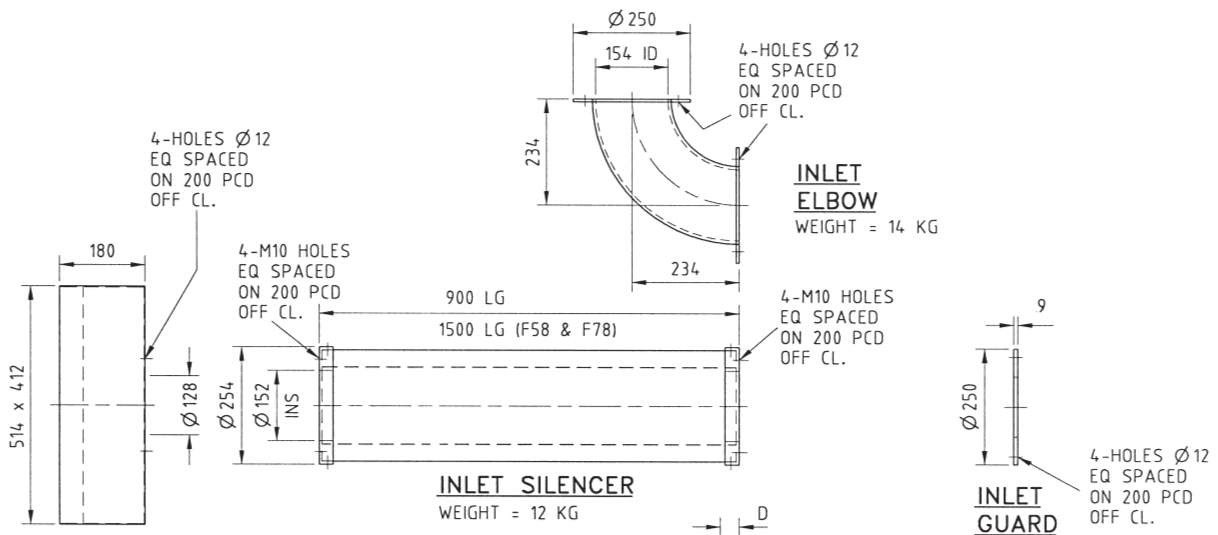


RUBBER ADAPTERS
SUPPLIED C/W HOSE CLIPS
SUITABLE FOR CONNECTION TO STEEL TUBING.



DISCHARGE ADAPTER

DISCHARGE OPTIONAL EXTRAS



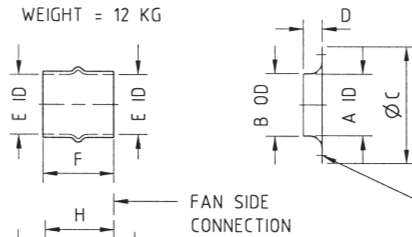
INLET FILTER

SUITABLE FOR CONNECTION TO FAN INLET FLANGE OR SILENCER.
WEIGHT = 10 KG

INLET SILENCER
WEIGHT = 12 KG

INLET ELBOW
WEIGHT = 14 KG

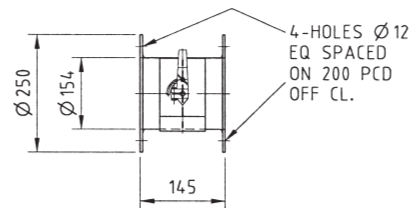
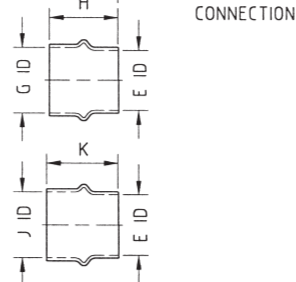
INLET GUARD



INLET ADAPTER

4-HOLES $\varnothing 12$ EQ SPACED ON 200 PCD OFF CL.

RUBBER ADAPTERS
SUPPLIED C/W HOSE CLIPS
SUITABLE FOR CONNECTION TO STEEL TUBING.



INLET DAMPER

WEIGHT = 4 KG

SIZE	A	B	C	D	E	F	G	H	J	K
F42 & F44	132	134	250	40	128	152	140	146	152	152
F51,F53 TO F59 F72,F74,F76 & F78	146	152	244	40	152	165	128	152	-	-

INLET OPTIONAL EXTRAS