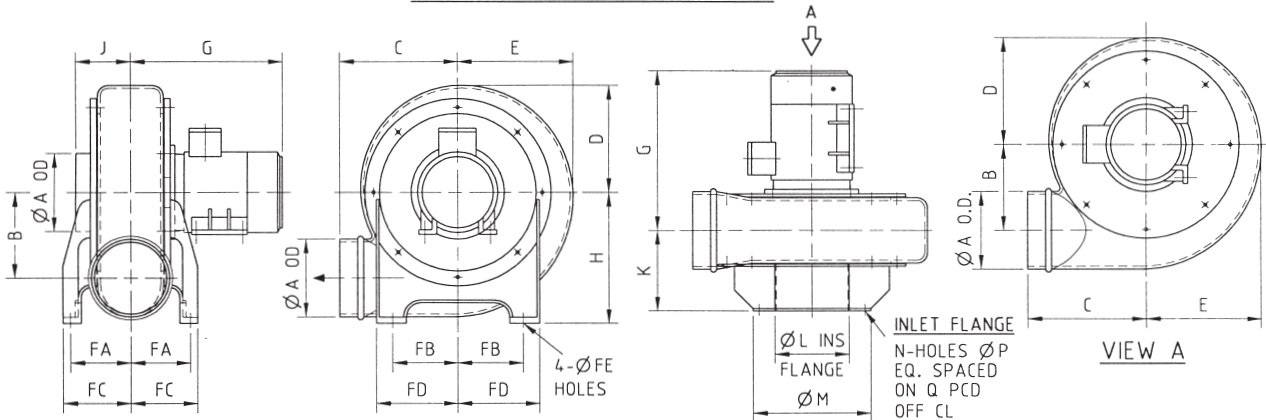
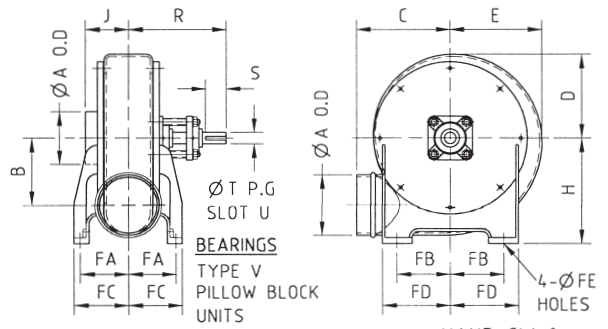


**'B' SERIES FANS**

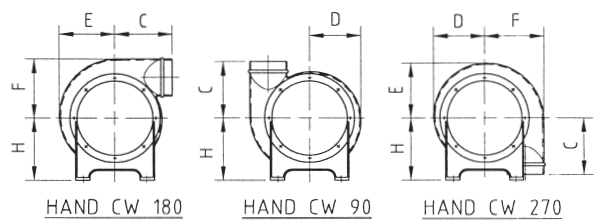


**ARRANGEMENT 4 DIRECT DRIVE HAND CW 0**

**ARRANGEMENT 4F DIRECT DRIVE**



**ARRANGEMENT 2 BARE SHAFT HAND CW 0**



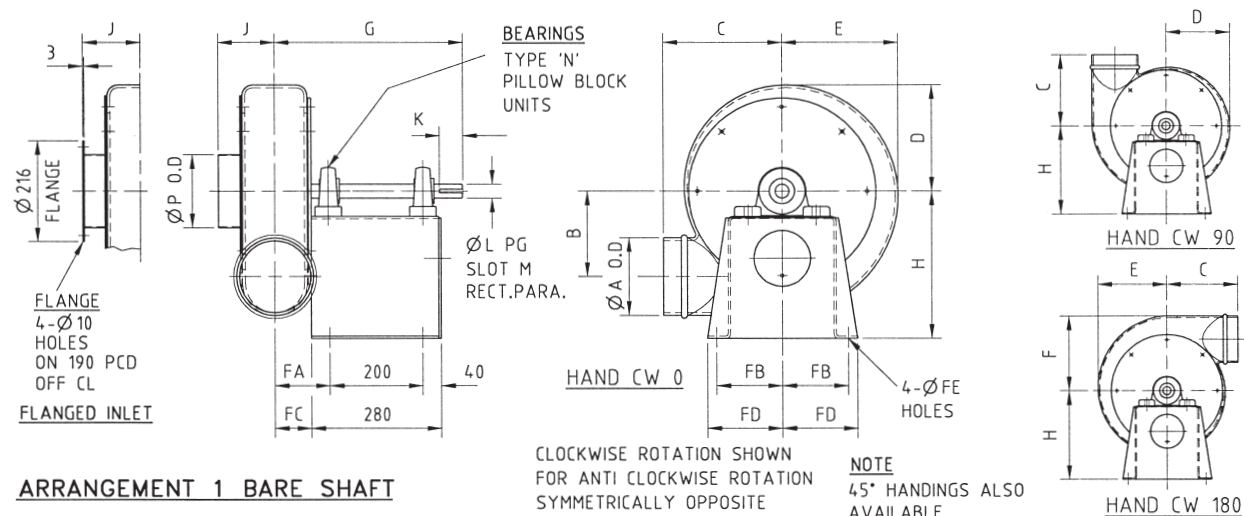
CLOCKWISE ROTATION SHOWN  
FOR ANTI CLOCKWISE ROTATION  
SYMMETRICALLY OPPOSITE

**NOTE**  
45° HANDINGS ALSO  
AVAILABLE

DIMENSIONS SHOULD NOT BE USED FOR CONSTRUCTIONAL  
PURPOSES WITHOUT OUR CERTIFICATION

**ELECTRIC MOTOR**  
415V/3Ph/50Hz  
OR 240V/1Ph/50Hz

SIZE	GENERAL										INLET FLANGE					ARR 2 BARE SHAFT					FOUNDATION DIMN'S					MOTOR			WT KG		
	A	B	C	D	E	F	G	3Ph	1Ph	H	J	K	L	M	N	P	Q	R	S	T	U	V	BRGS	FA	FB	FC	FD	FE		KW	RPM
B25	79	80	115	98	108	118	235	288	127	59	89	70	130	4	10	106	167	40	20	6	UCF	204	64	51	73	80	8	0.37	2850	D71	20
B30	90	111	153	137	146	156	233	288	178	57	97	80	158	4	10	128	165	40	20	6	UCF	204	76	89	86	118	8	0.37	2850	D71	25
B35	103	127	178	153	165	178	244	297	203	76	113	92	170	4	10	140	200	45	25	8	UCF	205	89	89	102	124	11	0.37	2850	D71	33
B40	118	146	203	178	191	204	261	315	229	91	123	106	184	4	12	154	210	45	25	8	UCF	205	102	115	115	146	11	0.55	2850	D71	42
B50	142	162	216	194	213	232	264	318	254	102	162	132	210	8	12	180	-	-	-	-	-	-	115	115	130	150	14	0.75	2850	D80	51
B60	168	184	254	229	248	267	314	331	280	116	172	158	250	8	12	218	-	-	-	-	-	-	127	140	143	175	14	1.5	2850	D90S	74
B62	168	184	254	229	248	267	280	334	280	116	172	158	250	8	12	218	-	-	-	-	-	-	127	140	143	175	14	1.1	2850	D80	68



**ARRANGEMENT 1 BARE SHAFT**

CLOCKWISE ROTATION SHOWN  
FOR ANTI CLOCKWISE ROTATION  
SYMMETRICALLY OPPOSITE

**NOTE**  
45° HANDINGS ALSO  
AVAILABLE

DIMENSIONS SHOULD NOT BE USED FOR CONSTRUCTIONAL PURPOSES WITHOUT OUR CERTIFICATION

FAN NO	GENERAL										FOUNDATION DIMN'S					WT KG					
	A	B	C	D	E	F	G	H	J	K	L	M	N	BRGS	P		FA	FB	FC	FD	FE
B50	142	162	216	194	213	232	390	280	107	50	30	8	UKP	207	130	103	122	63	14.2	14	42
B60	168	184	254	229	248	267	405	315	122	50	30	8	UKP	207	156	118	140	78	160	14	60